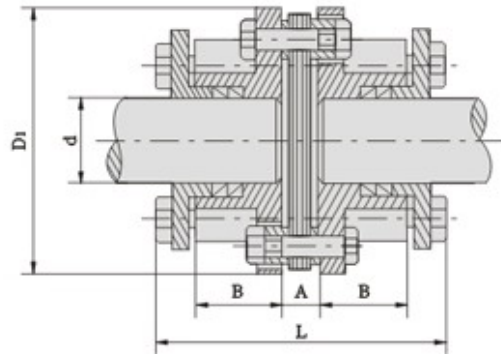


ZJM Disc Couplings (with Keyless Locking)



* All dimensions are in mm.

Part NO.	Dimensions					Weight kg	Rev limit rpm	Nominal Torque N.m	Compensation	
	d mm	D1 mm	L mm	A mm	B mm				Angular (°)	Axial mm
ZJM 01	8-22	68	90	6.1	26	0.85	20000	33	1	±0.8
ZJM 02	10-32	81	95	6.6	26	1.2	20000	90	1	±1.0
ZJM 03	10-35	93	110	8.4	29	1.7	18000	173	1	±1.2
ZJM 04	10-42	104	124	11.2	34	2.7	15000	245	1	±1.4
ZJM 05	15-50	126	152	11.7	42	6.5	13000	420	1	±1.6
ZJM 06	15-60	143	170	11.7	48	8.9	12000	772	1	±1.8
ZJM 07	20-70	168	210	16.8	58	15.8	10000	1270	1	±2.5

Notes: 1, Hub Material C45 Steel; Disc Material: Stainless Steel

2, Surface treatment: Black Oxide

3, Bore can be pilot bore and finished bore with keyway.