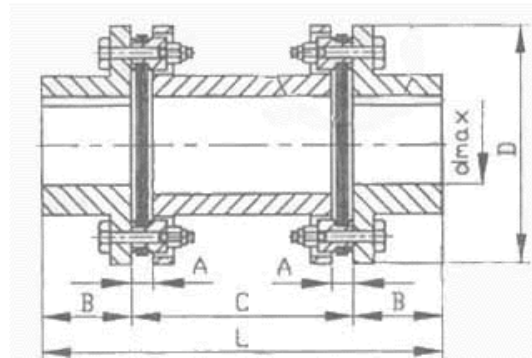


## SJM Disc Coupling



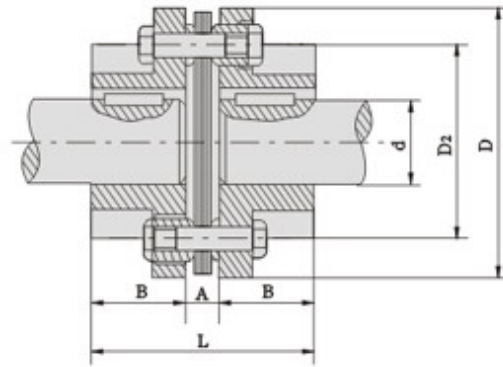
Part NO.	Nominal Torque N.M	Rev Limit rpm	Weight kg	kg.cm2	Dimensions mm						Compensation		
					d <sub>max</sub>	D	A	B	L	C	Axial mm	Angular	Radial mm
SJM 00	9.8	20000	0.23	3.0	20	57	4.9	20	100	60	±1.6	2°	0.5
SJM 01	33	20000	1.2	8	22	68	6.1	26	141	89	±1.6	2°	0.5
SJM 02	90	20000	1.9	24	32	81	6.6	26	141	89	±1.6	2°	0.5
SJM 03	173	18000	2.9	48	35	93	8.4	29	160	102	±2.4	2°	0.6
SJM 04	245	15000	4.7	80	42	104	11.2	34	195	127	±2.8	2°	0.7
SJM 05	420	13000	7.1	224	50	126	11.7	42	211	127	±3.2	1°30'	0.7
SJM 06	772	12000	10.8	440	60	143	11.7	48	223	127	±3.6	1°30'	0.8
SJM 07	1270	10000	16.3	1080	75	168	16.8	58	243	127	±4.0	1°30'	0.8
SJM 08	2080	10000	24.7	2080	82	194	17.0	64	268	140	±4.4	1°30'	0.9
SJM 09	3328	9000	32.5	3520	95	214	21.6	77	306	152	±4.8	1°30'	0.9
SJM 10	4900	8000	50.0	7200	108	246	23.9	89	356	178	±5.2	1°30'	1.0
SJM 11	6368	8000	75.0	12800	118	276	27.2	102	382	178	±5.6	1°30'	1.2
SJM 12	8900	6300	72.2	18000	110	276	17.5	128	409	153	±3.6	1°	1.2
SJM 13	15280	5000	12.0	37000	135	308	19.0	160	492	172	±4.0	1°	1.2
SJM 14	25410	4700	175	68000	155	346	21.5	182	554	190	±4.0	1°	1.2
SJM 15	37130	4300	234	108000	165	375	24.0	198	620	224	±4.0	1°	1.3
SJM 16	47120	3900	306	167000	180	410	29.5	214	682	254	±4.4	1°	1.3
SJM 17	57000	3500	369	250000	190	445	29.5	225	720	270	±4.4	1°	1.4
SJM 18	63186	3500	448	311000	205	470	31.0	248	770	274	±4.8	1°	1.5
SJM 19	82590	3200	596	480000	230	512	32.0	278	843	287	±4.8	1°	1.6
SJM 20	102100	2800	763	747000	255	556	32.5	305	902	292	±5.2	1°	1.8
SJM 21	126070	2450	919	1016000	265	588	34.0	318	948	312	±5.4	1°	1.8
SJM 22	146350	2150	1068	1386000	275	630	34.5	332	1008	344	±5.6	1°	2.0
SJM 23	173830	2000	1235	1784000	290	655	35.5	348	1052	356	±6.0	1°	2.0

Notes: 1, Hub Material C45 Steel; Disc Material: Stainless Steel

2, Surface treatment: Black Oxide

3, Bore can be pilot bore and finished bore with keyway.

## DJM Disc Coupling



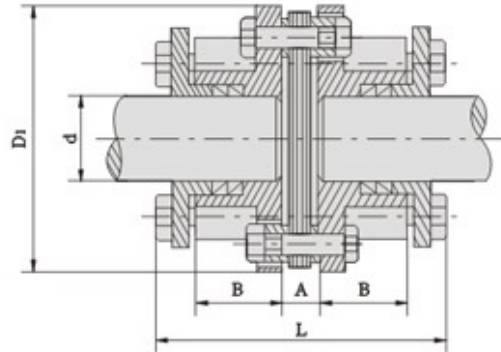
Part NO.	Nominal Torque N.M	Rev Limit rpm	Weight kg	kg.cm2	d <sub>max</sub> mm	D mm	A mm	B mm	L mm	J mm	Compensation	
											Axial mm	Angular
DJM 00	9.8	20000	0.14	1.74	20	57	4.9	20	44.9	10	±0.8	1°
DJM 01	33	20000	0.6	8	22	68	6.1	26	58.1	13	±0.8	1°
DJM 02	90	20000	1.1	24	32	81	6.6	26	58.6	16	±1.0	1°
DJM 03	173	18000	1.7	48	35	93	8.4	29	66.4	22	±1.2	1°
DJM 04	245	15000	2.5	80	42	104	11.2	34	79.2	20	±1.4	1°
DJM 05	420	13000	4.3	224	50	126	11.7	42	95.7	25	±1.6	45'
DJM 06	772	12000	6.9	440	60	143	11.7	48	107.7	28	±1.8	45'
DJM 07	1270	10000	11.3	1080	75	168	16.8	58	132.8	23	±2.0	45'
DJM 08	2080	10000	16.7	2080	82	194	17.0	64	145	30	±2.2	45'
DJM 09	3328	9000	22.7	3520	95	214	21.6	77	175.6	22	±2.4	45'
DJM 10	4900	8000	35.4	7200	108	246	23.9	89	201.9	23	±2.6	45'
DJM 11	6368	8000	52.0	12800	118	276	27.2	102	231.2	40	±2.8	45'
DJM 12	8900	6300	57.2	14400	110	276	17.5	128	273.5		±1.8	30'
DJM 13	15280	5000	77.3	22200	135	308	19.0	160	339		±2.0	30'
DJM 14	25410	4700	123	40800	155	346	21.5	182	385.5		±2.0	30'
DJM 15	37130	4300	156	64800	165	375	24.0	198	420		±2.0	30'
DJM 16	47120	3900	191	100200	180	410	29.5	214	457.5		±2.2	30'
DJM 17	57000	3500	245	150000	190	445	29.5	225	479.5		±2.2	30'
DJM 18	63186	3500	329	186600	205	470	31.0	248	527		±2.4	30'
DJM 19	82590	3200	394	288000	230	512	32.0	278	588		±2.4	30'
DJM 20	102100	2800	530	448200	255	556	32.5	305	642.5		±2.5	30'
DJM 21	126070	2450	619	609600	265	588	34.0	318	670		±2.7	30'
DJM 22	146350	2150	683	831600	275	630	34.5	332	698.5		±2.8	30'
DJM 23	173830	2000	791	1070400	290	655	35.5	348	731.5		±3.0	30'

Notes: 1, Hub Material C45 Steel; Disc Material: Stainless Steel

2, Surface treatment: Black Oxide

3, Bore can be pilot bore and finished bore with keyway.

## ZJM Disc Couplings (with Keyless Locking)



\* All dimensions are in mm.

Part NO.	Dimensions					Weight kg	Rev limit rpm	Nominal Torque N.m	Compensation	
	d mm	D1 mm	L mm	A mm	B mm				Angular (°)	Axial mm
<b>ZJM 01</b>	8-22	68	90	6.1	26	0.85	20000	33	1	±0.8
<b>ZJM 02</b>	10-32	81	95	6.6	26	1.2	20000	90	1	±1.0
<b>ZJM 03</b>	10-35	93	110	8.4	29	1.7	18000	173	1	±1.2
<b>ZJM 04</b>	10-42	104	124	11.2	34	2.7	15000	245	1	±1.4
<b>ZJM 05</b>	15-50	126	152	11.7	42	6.5	13000	420	1	±1.6
<b>ZJM 06</b>	15-60	143	170	11.7	48	8.9	12000	772	1	±1.8
<b>ZJM 07</b>	20-70	168	210	16.8	58	15.8	10000	1270	1	±2.5

Notes: 1, Hub Material C45 Steel; Disc Material: Stainless Steel

2, Surface treatment: Black Oxide

3, Bore can be pilot bore and finished bore with keyway.