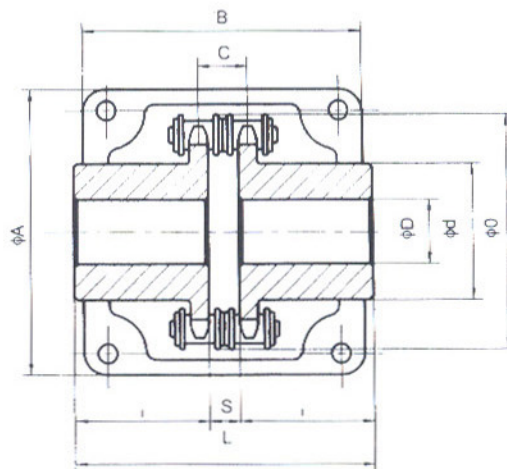
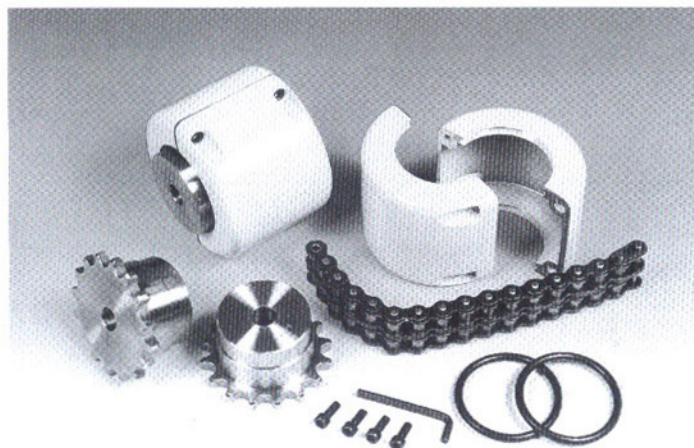


Chain Couplings Dimensions

Chain coupling is composed of a duplex roller chain and two sprockets. The function of connection and detachment is done by the joint of chain. It has the characteristic of simplicity, high efficiency, easy-on and easy-off and nice out-looking.

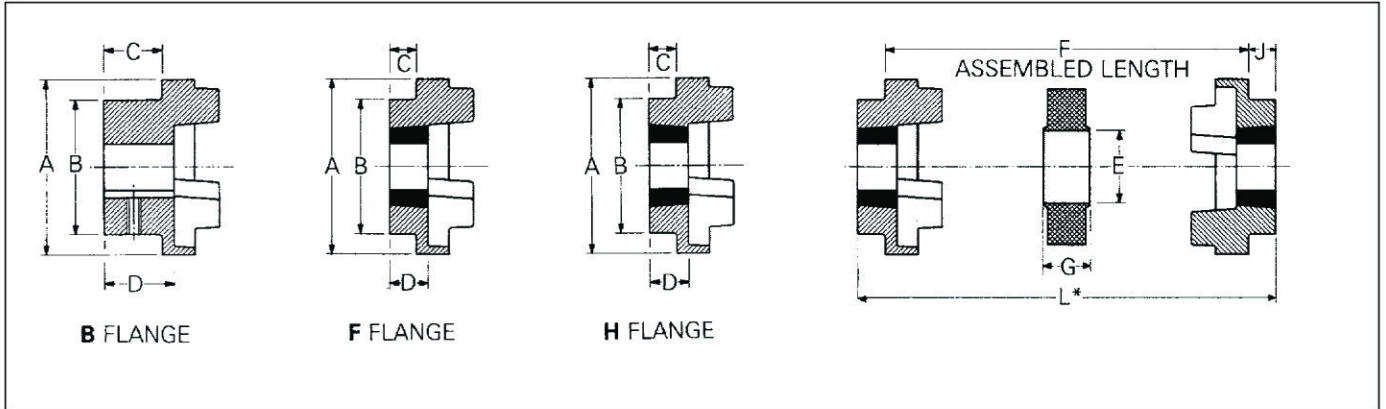
It also has a luminium cover to prevent dust and protect the lubricant and make the life of chain coupling a long-lasting one.



TYPE	CHAIN TYPE	BORE		DIMENSION OF THE SPRO						RATED TORQUE GD ² x 10 ⁻³ (kgf.m ²)	WT kg	DIM.OF.CLSE		RATED TORQUE GD ² x 10 ⁻³ (kgf.m ²)	WT kg
		MIN	MAX	L	I	S	D	O	C			A	B		
KC-3012	06B-2 x 12	12	16	64.8	29.8	5.2	35	45	10.2	0.233	0.4	69	63	0.88	0.3
KC-4012	40-2 x 12	12	22	79.4	36	7.4	35	62	14.4	1.020	0.8	77	72	1.03	0.3
KC-4014	40-2 x 14	12	28	79.4	36	7.4	43	69	14.4	1.924	1.1	84	75	1.42	0.4
KC-4016	40-2 x 16	14	32	87.4	40	7.4	50	77	14.4	3.285	1.4	92	72	2.41	0.4
KC-5014	50-2 x 14	15	35	99.7	45	9.7	55	86	18.1	6.01	2.2	101	85	3.63	0.5
KC-5016	50-2 x 16	16	40	99.7	45	9.7	62	93	18.1	9.72	2.7	110	87	4.81	0.6
KC-5018	50-2 x 18	16	45	99.7	45	9.7	70	106	18.1	15.42	3.8	122	85	6.97	0.8
KC-6018	60-2 x 18	20	56	123.5	56	11.5	85	127	22.8	40.21	6.2	147	105	16.84	1.2
KC-6020	60-2 x 20	20	60	123.5	56	11.5	100	139	22.8	62.87	7.8	158	105	21.27	1.6
KC-6022	60-2 x 22	20	71	123.5	56	11.5	110	151	22.8	93.45	10.4	168	117	28.97	1.8
KC-8018	80-2 x 18	20	80	141.2	63	15.2	110	169	29.3	142.03	12.7	190	129	52.13	2.5
KC-8020	80-2 x 20	20	90	145.2	65	15.2	120	185	29.3	204.90	16.0	210	137	82.39	2.9
KC-8022	80-2 x 22	20	100	157.2	71	15.2	140	202	29.3	341.17	20.2	226	137	104.07	3.6
KC-10020	100-2 x 20	25	110	178.8	80	18.8	162	233	35.8	646.29	33.0	281	153	233.87	4.6
KC-12018	120-2 x 18	35	125	202.7	90	22.7	170	256	45.4	1,075.71	47.0	307	181	460.74	6.2
KC-12022	120-2 x 22	35	140	222.7	100	22.7	210	304	45.4	2,454.50	72.0	357	181	803.00	8.0

The inner diameter dimension can supply finished chain coupling according to JIS,GB,BS and ASA standard series.

HRC Couplings Dimensions



PHYSICAL DIMENSIONS AND CHARACTERISTICS

Size	Common Dimensions					Type F & H						Type B				
	A	B	E	F ₁ ‡	G	Bush size	Max. Bore		C	D	J†	Bore Dia's		Screw over key	C	D
							mm	ins.				Max.	Pilot H9			
70	69	60	31	25.0	18.0	1008	25	1"	20.0	23.5	29	32	8	M 6	20	23.5
90	85	70	32	30.5	22.5	1108	28	1 ¹ / ₈	19.5	23.5	29	42	10	M 6	26	30.0
110	112	100	45	45.0	29.0	1610	42	1 ⁵ / ₈	18.5	26.5	38	55	10	M10	37	45.0
130	130	105	50	53.0	36.0	1610	42	1 ⁷ / ₈	18.0	26.5	38	60	15	M10	39	47.5
150	150	115	62	60.0	40.0	2012	50	2	23.5	33.5	42	70	20	M10	46	56.0
180	180	125	77	73.0	49.0	2517	60	2 ¹ / ₂	34.5	46.5	48	80	25	M10	58	70.0
230	225	155	99	85.5	59.5	3020	75	3	39.5	52.5	55	100	25	M12	77	90.0
280	275	206	119	105.5	74.5	3525	100	4	51.0	66.5	67	115	30	M16	90	105.5

† 'J' is the wrench clearance required for tightening/loosening the bush on the shaft. A shortened wrench will allow this dimension to be reduced.

‡ F₁ refers to combinations of flanges: FF, FH, HH, FB, HB, BB.

Bore limits H7 unless otherwise specified.

Size	Assembled Length (L*) Comprising Flange Types			Mass (kg)	Inertia Mr ² (kgm ²)	Dynamic Stiffness (Nm/ ^o)	Maximum Misalignment		Nominal Torque (Nm)
	FF. FH. HH	FB. HB	BB				Parallel	Axial	
70	65.0	65.0	65.0	1.00	0.00085	–	0.3	+0.2	31
90	69.5	76.0	82.5	1.78	0.00115	–	0.3	+0.5	80
110	82.0	100.5	119.0	5.00	0.00400	65	0.3	+0.6	160
130	89.0	110.0	131.0	5.46	0.00780	130	0.4	+0.8	315
150	107.0	129.5	152.0	7.11	0.01810	175	0.4	+0.9	600
180	142.0	165.5	189.0	16.60	0.04340	229	0.4	+1.1	950
230	164.5	202.0	239.5	26.00	0.12068	587	0.5	+1.3	2000
280	207.5	246.5	285.5	50.00	0.44653	1025	0.5	+1.7	3150

All dimensions in millimetres unless otherwise stated.

All HRC couplings have an angular misalignment capacity of up to 1°.

Mass is for an FF, FH or HH coupling with mid range Taper Lock Bushes.